

Rehearsal Info

Bride's Full Name	_____
Groom's Full Name	_____
Rehearsal Date and Time	_____
Wedding Date and Time	_____

Instructions

Please fill in the following three pages. "Save as" with your name included in the file name and email to lori@fbcharleston.org

Wedding Party Info

Number of Bridesmaids (not including Maid/Matron of Honor)	Maid/Matron of Honor
Number of Groomsmen (not including Best Man)	Best Man
Number of Ring Bearers	Number of Flower Girls
Number of Ushers	

If you wish to line up the attendants by height, we will assess at the rehearsal. If you wish to line up by special arrangement (i.e. sisters, best friends closest to you/certain couples walking out together), please list below:

Family Seating Information

GRANDMOTHERS/NAME	PEW/ROW #	<input type="checkbox"/> Most of the time, the escorts stay the same for the Processional and Recessional to avoid confusion	
		ESCORT PROCESSIONAL:	ESCORT RECESSIONAL:
Groom (Paternal) _____	_____	_____	_____
Groom (Maternal) _____	_____	_____	_____
Bride (Paternal) _____	_____	_____	_____
Bride (Maternal) _____	_____	_____	_____
MOTHERS/NAME	PEW/ROW #	ESCORT PROCESSIONAL:	ESCORT RECESSIONAL:
Stepmother Groom _____	_____	_____	_____
Stepmother Bride _____	_____	_____	_____
Mother Groom _____	_____	_____	_____
Mother Bride _____	_____	_____	_____

Other Ceremony Information

Please confirm officiant name: _____ Readers? _____

Any wedding party participants with special needs (wheelchair, etc.)? _____

Music Selections

Bride's Name

Wedding Date

Instructions

Please fill in the form sections and choose from the drop down menu under each category or type the song title if not provided in the menu under "other"

Seating of Grandmothers/Mothers

Other

Attendants Entrance

Other

Fanfare and Entrance of Bride

Other

Recessional of All Bridal Party

Other

Vocal Music*

If you have contracted a vocalist, please give name and contact number or email

Other

If you contracted instrumentalists, please list name of coordinator and contact number or email

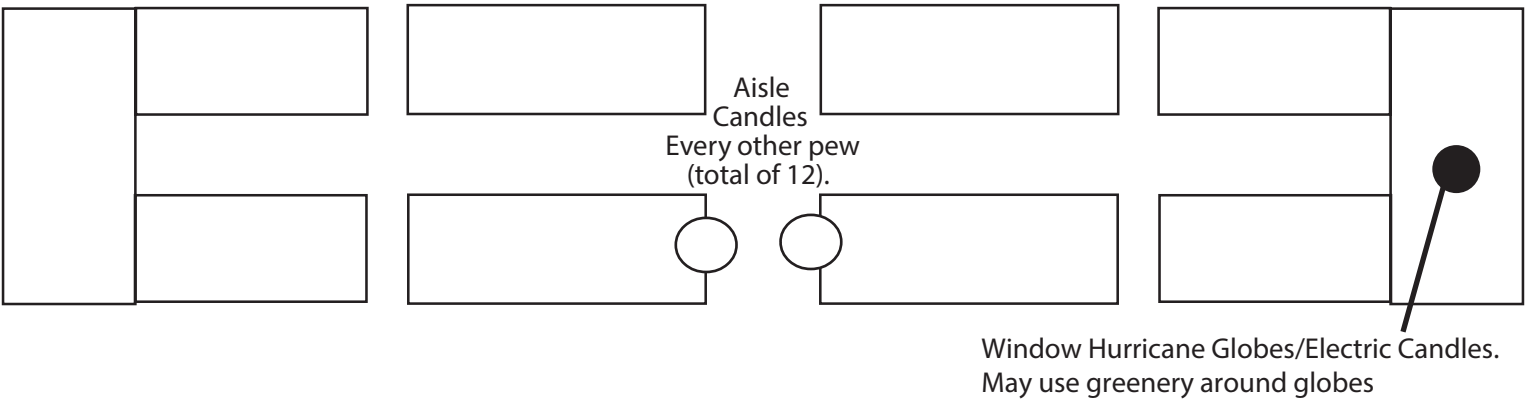
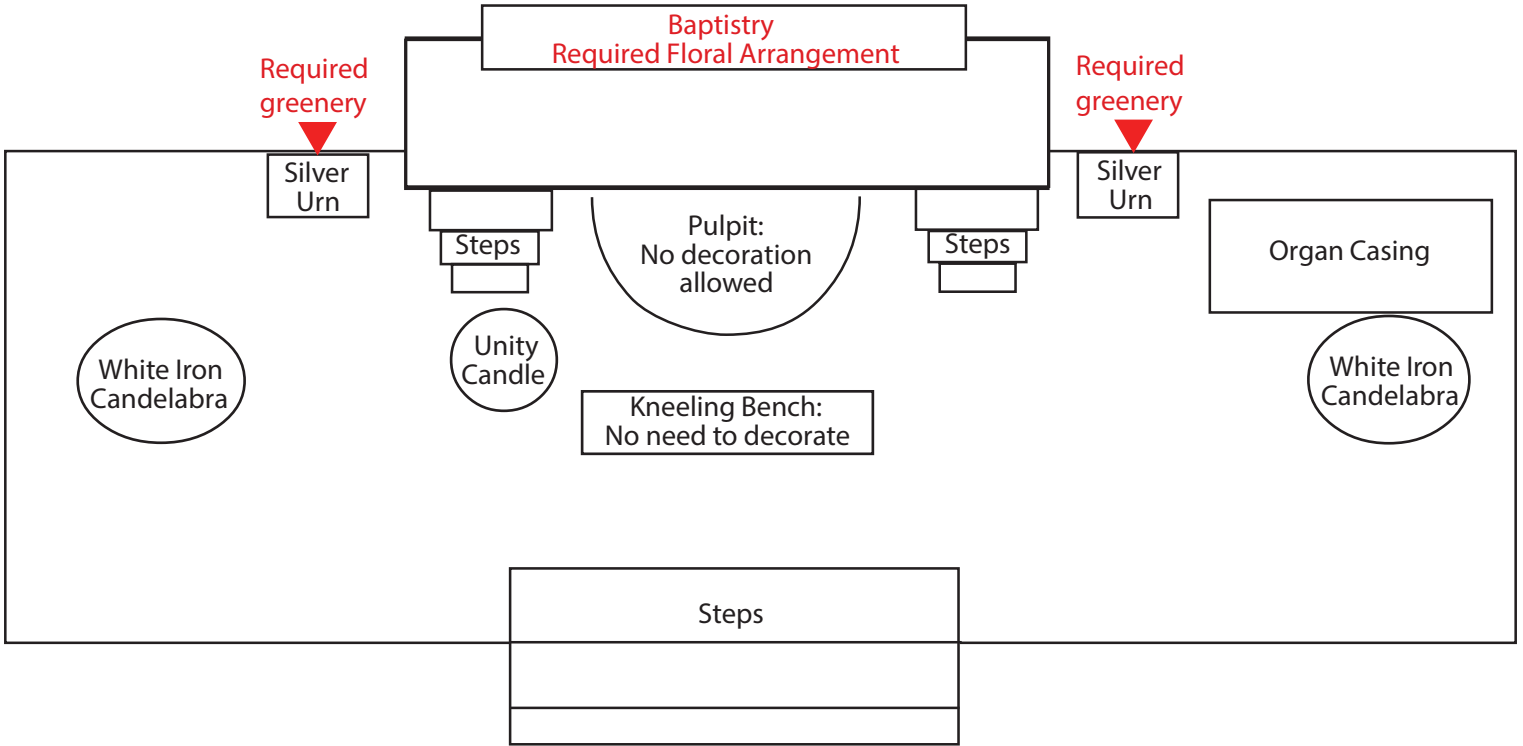
*vocal music is optional and not included in the fee

Sanctuary Set-up

Please click on the items you wish to use:
a red check mark will appear over each item

Bride's Name

Wedding Date



You may discuss aisle candles, candelabras when you meet with designated florist, Lisa Ferguson.